

LCC control units



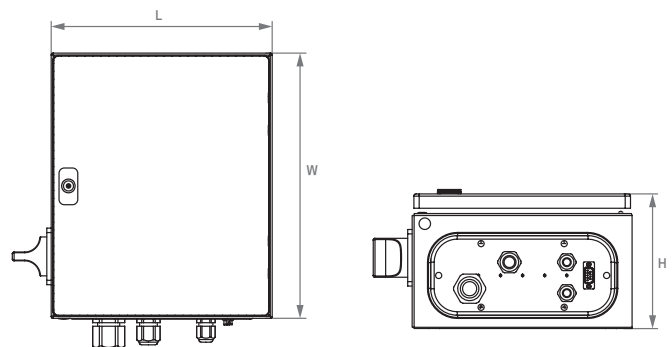
When to choose LCC electropermanent magnet controllers:

The LCC is the standard series of control units used to control the Mastermill series of compensated electropermanent magnetic chucks. Available versions are LCC 10 XC, LCC 20, LCC 40.

Basic functions of the LCC control unit:

- + control of the control unit using the integrated HMI keypad on the box
- + possibility to control up to 4 magnetic chucks at the same time
- + microprocessor controlled de/magnetization of workpiece and chuck
- + magnetization status check – connection to the machine safety contact
- + possibility of connection with a PLC machine
- + overheating protection (safety delay between cycles)

Catalog number (LCC)	W (mm)	L (mm)	H (mm)	Weight (kg)
LCC10XC	200	150	75	1,1
LCC20	300	250	150	5,9
LCC40	400	300	150	7,5



The above parameters apply to the IP54 version of the unit